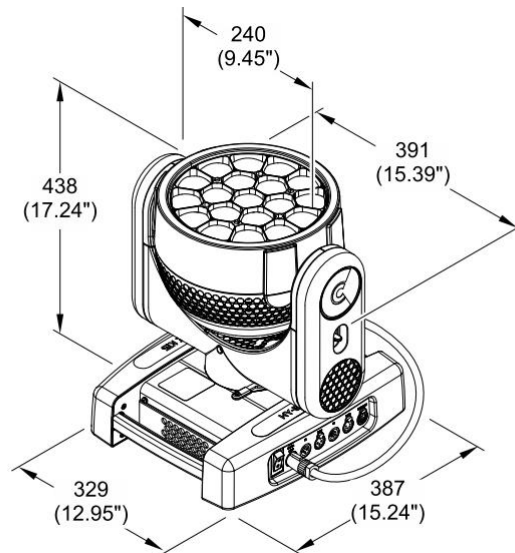
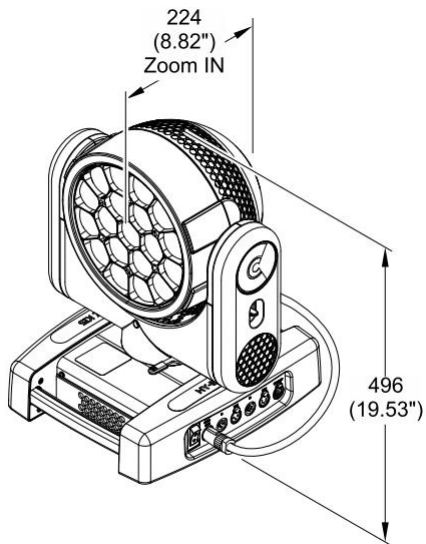


# Hy B-Eye K15



## **POWER SUPPLIES**

100-240V 50/60Hz

## **INPUT POWER**

700 VA at 230V 50Hz

## **LIGHT SOURCE**

19 RGBW LEDs driven at 30 Watt

- Type: OSRAM OSTAR - Stage II LE RTDUW S2WN
- Color Temperature: 6,000 K
- Life: 50,000 hrs

## **OPTICS**

4°-60° Electronic Zoom Range

## **EFFECTS SECTION**

Three operating modes: wash, beam, FX (Kaleido effects)

Bi-directional Rotating Front Lens

Digital Wash-Beam Framing effect

Beam edge softening control (in Wash mode)

Pixel Patterning Macros with enhanced control

0-100% linear electronic dimmer

Adjustable speed stop/strobe effect, with instantaneous blackout

Dedicated channel for color temperature setting

White CT Emulation 2500-8000K

RGBW auto-tuning to lamp CT Emulation

Tungsten Lamp Emulation

Slow Strobe: 1 flash/sec; Fast Strobe: 25 flash/sec

## **CONTROL AND PROGRAMMING**

DMX protocol signal: USITT DMX 512

Art-Net / RDM

Display: Graphic LCD backlit b/w Display

Pan/Tilt Resolution: 16 bit

Dimmer Resolution: 16 bit

Movement control: Vectorial

DMX signal connection: 3 and 5 pole XLR input and output

Software upload through DMX input

## **BODY**

Aluminum structure with die-cast plastic cover

Two side handles for transportation

PAN & TILT lock for transport and maintenance

## **MOVING BODY**

Movement by means of two stepper motors, controlled by microprocessor

Automatic repositioning of PAN and TILT after accidental movement not controlled by control unit

Travel:

- PAN = 540°
- TILT = 200°

## **ELECTRONICS**

Long-life auto-charging buffer battery  
Preset color and graphic effect macros  
Function reset controllable from a central control unit  
Menu-driven internal self-test function  
Ethernet ready with RJ45 socket  
Display: backlit black-and-white graphic LCD display  
Electronic check-up of every single parameter with error alarm  
DMX level monitoring on each channel  
Automatic internal data transmission error diagnostics  
Firmware upgrade even when the unit is not connected to the power supply  
Firmware transfer from one light to another

## **SAFETY DEVICES**

Automatic power safety derating in case of overheat of the LED board  
Forced ventilation

## **WORKING POSITION**

Working in any position  
Hanging system: with fast-lock omega clamps (1/4 turn) on the base

## **CE MARKING**

In conformity with the European Directives:

- 2014/35/EU - Safety of electrical equipment supplied at low voltage (LVD)
- 2014/30/EU - Electromagnetic Compatibility (EMC)
- 2011/65/EU - Restriction of the use of certain hazardous substances (RoHS)
- 2009/125/EC - EcoDesign requirements for Energy-related Products (ErP)

## **ETL**

This product is available, on demand, with cETLus Listed Mark, that complies with the UL 1573, UL 8750 and CSA C22.2 No. 166 standards.

## **WEIGHT**

21 Kg